

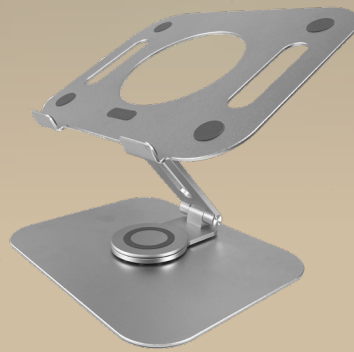
UNILUX NEWS

2023

KATY
p8



ERGO TOP
p7



PURELINE
p3



ERGO SPHERE
p5



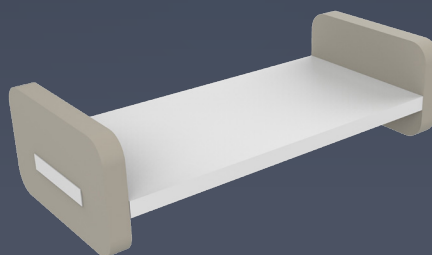
ERGO BOOST
p6



NEXUS
p4



REVERSO
p10



TAMY
p9



UNILUX TWIST LED

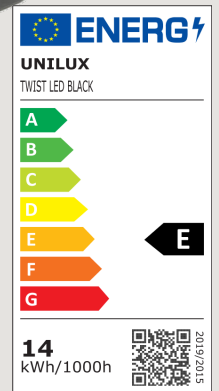
- High Flexibility
+/- 180 ° rotating head,
150 ° adjustable arm and
+/- 170 ° rotating base
- USB charging port: integrated USB 2.0 Type A connection 5 V, max. 1A
- Continuously variation of light intensity
- Switch off by timer function after 60 minutes
- Modern and sober design with thin head (1 cm height)
- Lifetime: 50.000 h ours
- CRI: >90
- Switch on the socle
- Height adjustable 10 to 43 cm
- Materials: aluminium, plastic
- 1.220 Lux at 35 cm distance

Lumen/Watt	111
kWh/1000h	14
Energy efficiency (A-G)	E
Colour temperature (K)	2.700-6.000

400165037 Black



AVAILABLE FROM
OCT-NOV
2022



UNILUX STRATA

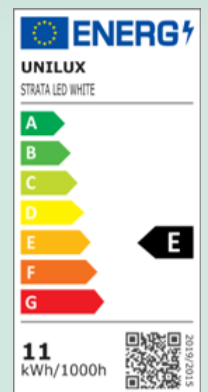
- Excellent lighting on a huge desk space thanks to wide head (80 cm) and asymmetrical lighting
- Space saving mounting from behind the desk with a clamp (max. 8 cm)
- Light sensor for automatic adaption of the light intensity to changing light conditions in the surrounding
- Continuous variation of light intensity and color temperature
- Flexible arm end to adapt the height to the size of the screen
- LED module with 1.193 Lumens
- 1170 Lux at 50 cm distance
- CRI: >82
- Lifetime LEDs: 50.000 hours
- Height: 50 to 70 cm
- Switch on top of the head
- Materials: aluminium, rubber coated metal, steel
- 1.170 Lux at 50 cm distance

Lumen/Watt	108
kWh/1000h	11
Energy efficiency (A-G)	E
Colour temperature (K)	3.000-6.000

400165231 White



AVAILABLE FROM
OCT-NOV
2022



UNILUX PURELINE

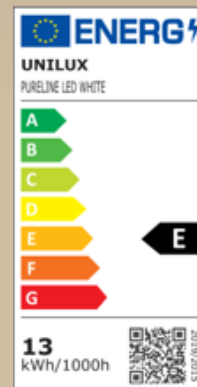
- Succeeding modell to ERGOLIGHT 100340991
- Light from above the screen helps to reduce the tension and fatigue of your eyes while working with laptop or PC
- Variation of light intensity continuously, color temperature in 3 levels
- Light sensor for automatic adaption of the light intensity to changing light conditions in the surrounding
- Flexibility thanks to +/- 180 ° rotating head, 150 ° adjustable arm and +/- 170 ° rotating base
- Reduced design with thin head (1.5 cm)
- CRI>90
- Lifetime LED: 35.000 hours
- Height: 45 cm
- Materials: aluminium, plastic
- 2.280 Lux at 35 cm distance

Lumen/Watt	104
kWh/1000h	13
Energy efficiency (A-G)	E
Colour temperature (K)	3/4/5.700

400165091 White



AVAILABLE FROM
OCT-NOV
2022

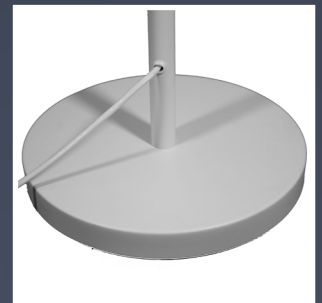


UNILUX SPOTY

- Modern matt white finish and decent design for private rooms as well as office spaces
- Head can be turned in all directions thanks to its robust and reliable articulation
- Changeable light source
- Supplied with a LED bulb E27
- Height: 145 cm
- Foot Ø 22 cm
- Foot switch for on/off on the cord
- Materials: epoxy painted steel, aluminum
- CRI>84
- 1.640 Lux at 35 cm distance

Lumen/Watt	83
kWh/1000h	11
Energy efficiency (A-G)	F
Colour temperature (K)	3.000

400165039 White



AVAILABLE FROM
OCT-NOV
2022



UNILUX LEDDY

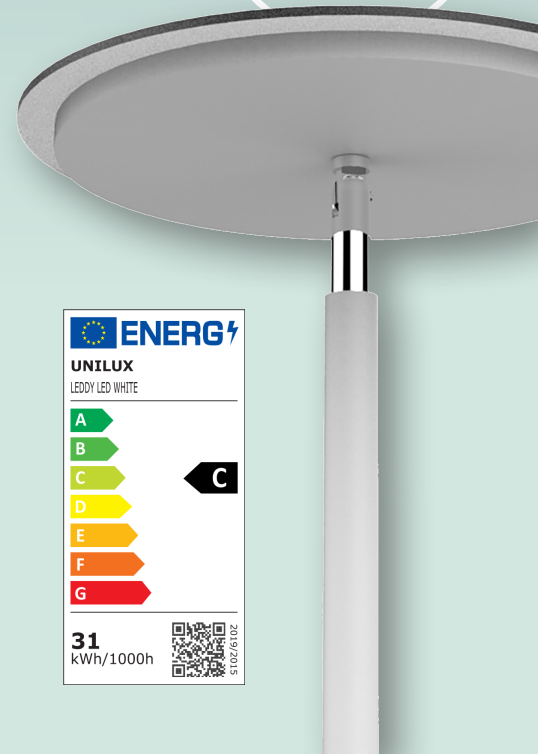
- Clean and modern design with fine lines and frosted glass diffuser
- Variation of light intensity in 3 steps by a touch dimmer located on the
- Glass cover protects the LED basin from insects and makes it easy to clean
- Luminous flux: 4.764 lumens
- CRI: 84
- Lifetime LED: 40.000 hours
- Height: 180 cm
- Head and foot: Ø 25 cm
- Floor lamp base in stable metal: 2,5 Kg
- Material: epoxy painted steel, frosted glass
- 3.160 Lux at 55 cm distance

Lumen/Watt	153
kWh/1000h	31
Energy efficiency (A-G)	C
Colour temperature (K)	3.000

400165031 White



AVAILABLE FROM
**OCT-NOV
2022**



UNILUX NEXUS

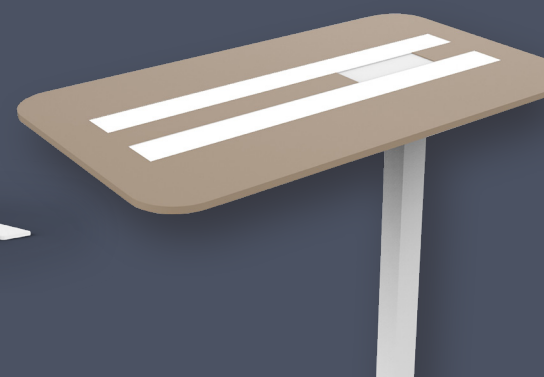
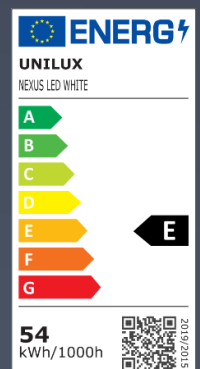
- Control of indirect light and direct light separately or both at the same time via touch panel at the mast
- Light sensor for automatic adaption of the light intensity to ambient brightness
- Motion sensor for automatic switch-on as soon as the lamp detects movement
- Sound absorption thanks to a PET acoustic panel held on both lighting parts
- U-shaped cut out of the base makes it possible to position the floor lamp as close as possible to an office or table base
- Excellent visual comfort with light luminance and limited glare effect (UGR <19)
- Suitable to enlighten 2 desks
- Lifetime LED: 40.000 hours
- Material: epoxy painted steel, aluminium, PET
- 1.380 Lux at 110 cm from above
- 2.330 Lux at 55 cm from below
- CRI: >80
- Height: 198 cm

Lumen/Watt	109
kWh/1000h	54
Energy efficiency (A-G)	E
Colour temperature (K)	4.000

400165148 White



AVAILABLE FROM
**OCT-NOV
2022**



UNILUX ERGO LEG

AVAILABLE FROM
OCT-NOV
2022

- Helps to keep a stable and straight posture while working at the desk and thus avoids back pain.
- Height of the seat is adjustable from 52-62 cm, also the inclination of the knee pad
- High comfort thanks to generous padding of the seat and the knee rest with 9 cm thick memory foam
- Covered made black cotton fabric with recycling share
- Equipped with 4 lockable castors
- Dimensions (W x H x D):
47 x 52-62 x 68 cm
- Maximum user's weight: 150 Kg
- Material: lacquered metal, textile cover (20% cotton, 80% recycled cotton)
- Weight: 7,7 kg



400165094 Steel/black

UNILUX ERGO SPHERE

AVAILABLE FROM
OCT-NOV
2022

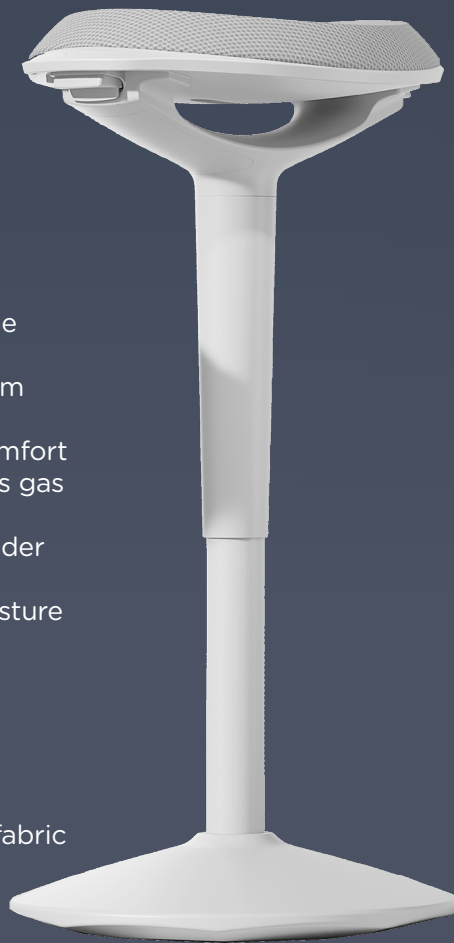
- Training for abdominal and back muscles: Instability of the ball forces the body to compensate by holding the vertebral column upright
- Recommended for desk workers, people who want to improve their posture and for all those who want to sit more active
- Can be used also for exercises like yoga, pilates or gymnastics
- Perfectly suited for adults and children between 1.55 and 1.85 m tall
- Inner balloon made of inflatable and anti-burst PVC
- Felt cover made from synthetic wool yarn with velvety feel
- Hygienic thanks to anti-germ treatment
- Machine washable (cold water)
- Heavy duty zipper makes it easy to take off the cover
- Anti-slip & anti-tilt area
- Included in delivery: 1 PVC inner balloon, 1 washable felt cover, 1 hand pump for inflating the PVC inner balloon, 1 manual
- Dimensions: diameter 65 cm
- Maximum user's weight: 150 kg
- Weight: 1,5 Kg
- Materials: PVC, caoutchouc, felt



400165093 Grey

UNILUX ERGO BOOST

- Whole body benefits from a stable and upright position of the spine
- Innovative prismatic foot design is stabilizing the movements
- Curved circular seat made of padded foam (6 cm thick)
- Covered with high density fabric for optimal comfort
- Easily adjustable height (55-70 cm) thanks to its gas piston system
- 2 easy to access adjustment handles located under the seat.
- Lowest position allows you to have the right posture even with a standard desk height
- Height : 55 cm to 70 cm
- Dimension of the seat: 32 cm width
- Dimension of base: 38 cm width
- Reasonable weight: 5,5 Kg
- Maximum user's weight: 120 kg
- Materials: epoxy painted metal, plastic, rubber, fabric



AVAILABLE FROM
OCT-NOV
2022



400165092 White

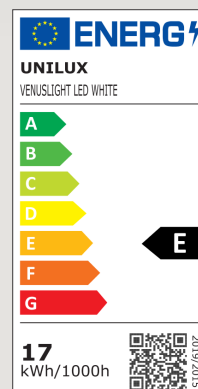
UNILUX VENUSLIGHT

- A pure and modern design: VENUSLIGHT is characterized by a design with fine and pure lines. Its head does not exceed 1,7 cm in thickness which gives it an elegant character.
- Intelligent: depending on the ambient light of your workspace, the lamp adapts its light for a better visual comfort, thanks to its luminosity sensor.
- Motion sensor: Automatically turns on when the lamp detects movement.
- Optimal and uniform light distribution thanks to its daylight LEDs: it will better protect your vision, reduce tension and fatigue of your eyes
- More space: Since the desk lamp is clipped to a table, you have more space on your desk!
- Materials: arm and head in ABS plastic /metal clamp
- CRI>90 and warranty 2 years
- 1.400 Lux at 40 cm
- Life time : 50.000h.



AVAILABLE FROM
OCT-NOV
2022

Lumen/Watt	101
kWh/1000h	17
Energy efficiency (A-G)	E
Colour temperature (K)	2.700-5.000



400165033 White

UNILUX ERGO TOP

- Brings notebooks up to an ergonomic and relaxed position
- Freely adjustable in height (5 to 15 cm)
- Tilttable from 0° to 60°
- Joint on the base plate makes it easy to turn your laptop f.e. to let your colleagues see your ideas
- Lightweight and foldable, therefore easy to carry
- Suitable for laptops and tablets from 10» to 17»
- High quality aluminium alloy makes product robust and stable further good thermal conductivity contributes to better heat dissipation
- 4 non-slip rubber pads on the top and side flap keep the laptop stable and avoid slipping
- Non-slip rubber mat under the base keeps the stand stable
- Hollows allow the laptop to dissipate heat well
- Weight: 0,9 kg
- Dimensions folding: 26,5 cm x 21,5 cm x 4,5 cm
- Materials: aluminium, non-slip PVC glides, silicone
- Supports up to 3 kg



AVAILABLE FROM
OCT-NOV
2022

400153725 Steel

UNILUX HOMY

- Ideal for home office with limited space
- Small table can be stored folded in a corner when not in use, easy to store and transport at home
- Option to swing out an additional small shelf
- No assembly necessary, can be used directly
- Dimensions folded: 108 x 75 x 3,5 cm
- Dimensions unfolded: 91,5 x 75 x 62 cm
- Materials: epoxy painted steel, MDF in beech wood optic
- Weight: 7,7 kg
- 5 seconds to unfold



5 SECONDS

AVAILABLE FROM
OCT-NOV
2022

400165232 White/wood

UNILUX KATY

- Desk lamp with bamboo feet and lamp shield in tissue
- Switch ON/OFF on the cord
- Light source replaceable
- Supplied with a LED bulb E27
- Lifetime: 30.000 hours
- CRI: >84
- 290 Lux at 35 cm distance
- Height: 47 cm

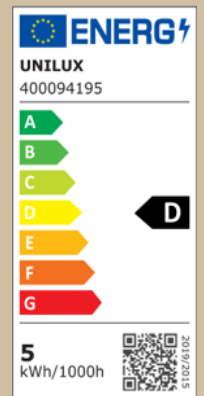
Lumen/Watt	119
kWh/1000h	5
Energy efficiency (A-G)	D
Colour temperature (K)	3.000



400165041 White/wood



AVAILABLE FROM
OCT-NOV
2022



UNILUX TOOKA

- Floor lamp with bamboo feet and lamp shield in tissue
- Switch ON/OFF on the cord
- Light source replaceable
- Supplied with a LED bulb E27
- Lifetime: 30.000 hours
- CRI: >84
- 490 Lux at 35 cm distance
- Height: 148 cm

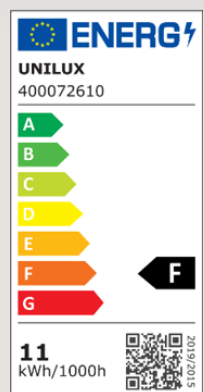
Lumen/Watt	83
kWh/1000h	11
Energy efficiency (A-G)	F
Colour temperature (K)	3.000



400165040 White/wood



AVAILABLE FROM
OCT-NOV
2022



UNILUX TAMY

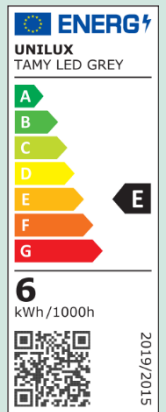
- Flexible arm with 360° rotation makes it easy to adjust the direction of the lighting to your work area.
- Weighted base offers excellent stability.
- Head shape promotes a wide diffusion of light on the worktop.
- LEDs are protected by an opaque diffuser: high quality light with neither flicker nor glare
- ON/OFF switch: easy to access on the cord
- Luminous flux: 625 Lumen
- Av. Lifetime LEDs: 20.000 hours
- Color temperature: 3.000 K
- CRI: 84
- Height: 20 to 35 cm
- Materials: plastic ABS, metal with rubber surface
- 690 Lux at 35 cm distance



AVAILABLE FROM
OCT-NOV
2022

- 400165012 White
- 400165015 Green
- 400165017 Blue
- 400165018 Pink
- 400165986 Grey

Lumen/Watt	104
kWh/1000h	6
Energy efficiency (A-G)	E
Colour temperature (K)	3.000

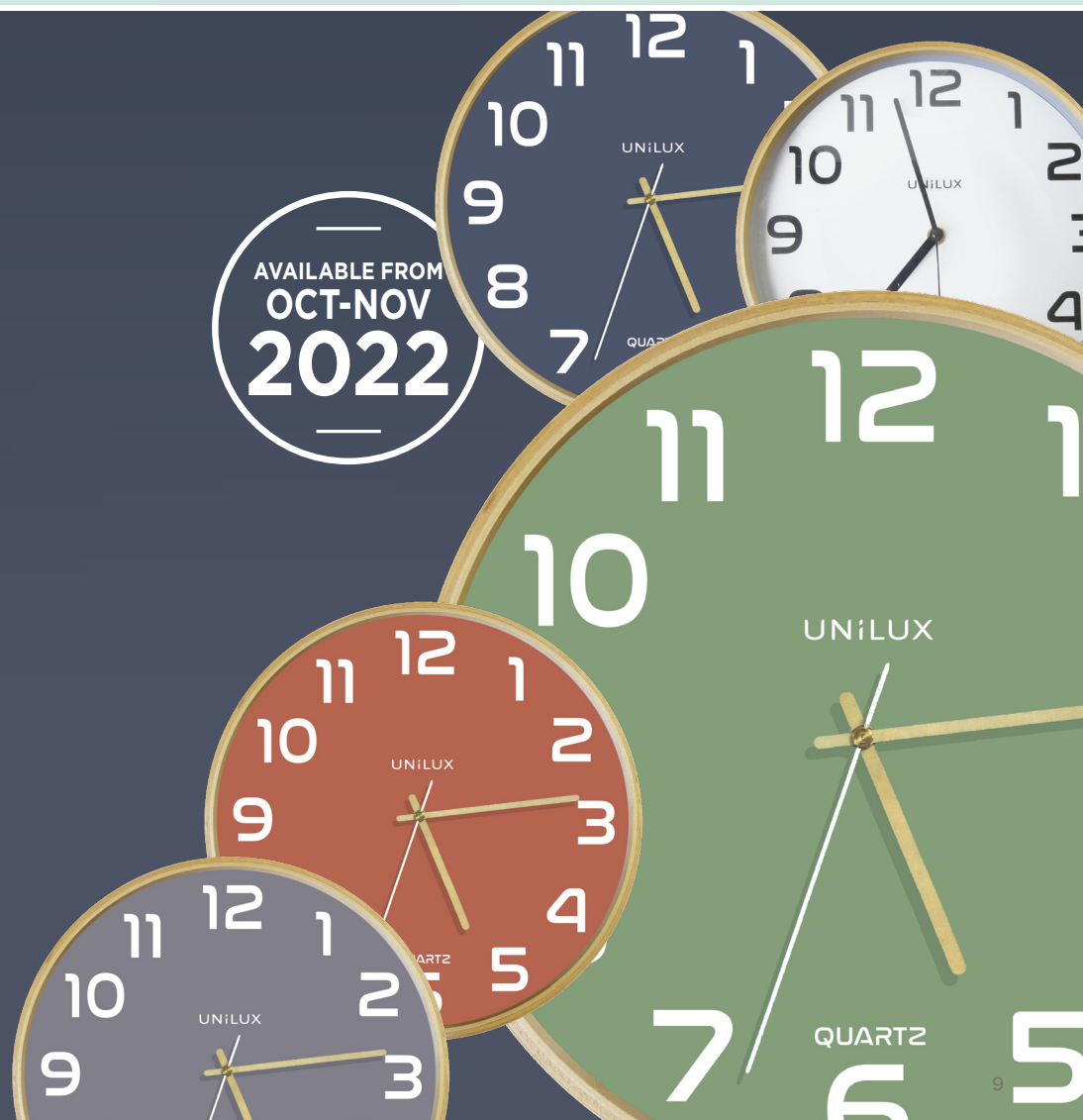


UNILUX BALTIC

- Wooden frame and hands
- Silent movement
- Operation: powered by one 1,5 V (AA) battery supplied
- Thickness: 3,5 cm
- Dimensions: diameter: 31,5 cm
- Readable up to 35 meters
- Quartz system, +/- 1 second/ 6 years
- Average consumption 0,21 mA

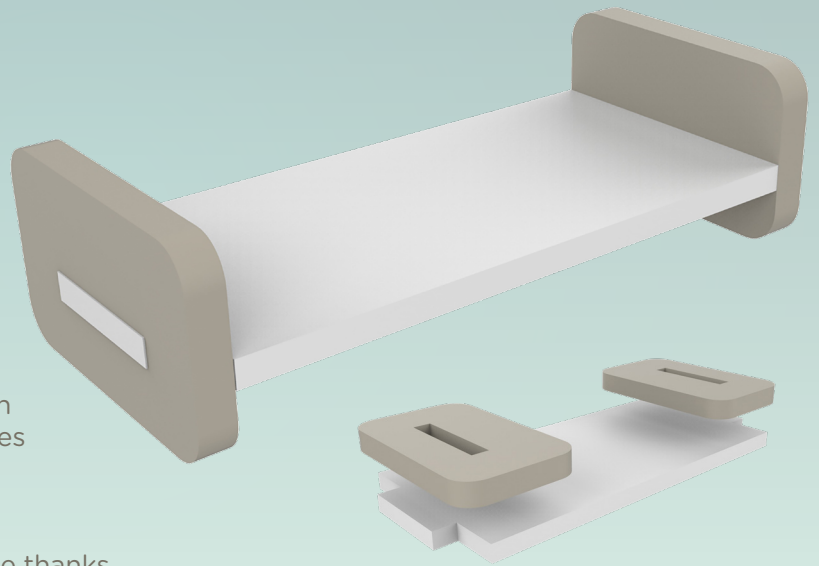
AVAILABLE FROM
OCT-NOV
2022

- 400165110 Blue
- 400165098 Light green
- 400165111 Red
- 400165097 Grey
- 400094591 White



UNILUX REVERSO

- Raises laptop or screen to a comfortable working height
- 50 % PE recycled/50 % recyclable
- Helps to optimise working comfort and limits the strain on the neck and shoulder muscles
- Turn ECHO SWITCH to use 2 different heights (5 cm or 8 cm)
- Space to store a compact keyboard underneath
- Cable guide on the back to guide monitor cables properly
- Tray can support a weight of 3 kg
- Suitable for screens up to 19»
- Delivered flat packed, fast and easy to assemble thanks to its snap together mounting system
- Easy to carry
- Thickness of PET tray: 20 mm
- Weight: 0,65 kg
- Dimensions: 55 cm x 25 cm x 15 cm
- Assembly in 1 minute
- Optimised absorption coefficient: 0,8
- Materials: PET
- Weight: 0,65 kg



AVAILABLE FROM
OCT-NOV
2022



400165144 White/nature

UNILUX HELLO

- Clock with a felt face and cut out numbers
- 50 % PE recycled/50 % recyclable
- Black hands
- No cover
- Quiet system with constantly moving second hand
- Supplied with 1,5V AA battery
- PET thickness: 9 mm
- Diameter: 40 cm
- Thickness: 3 cm
- Weight: 0,25 kg
- Optimised absorption coefficient: 0,8

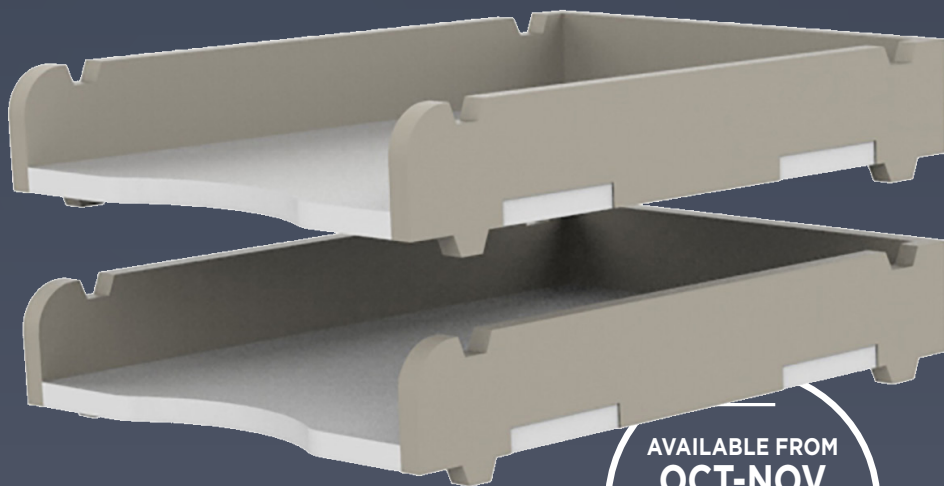


AVAILABLE FROM
OCT-NOV
2022

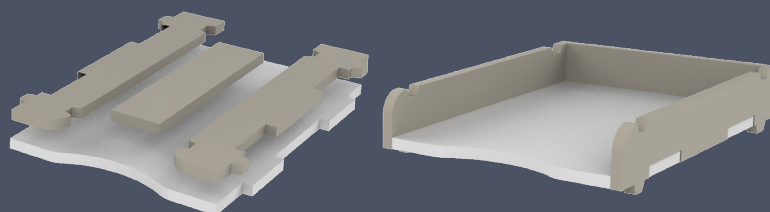
400165095 White/nature

UNILUX STOLL

- A4 paper basket
- 50 % PE recycled/50 % recyclable
- Delivered flat packed, easy to assemble thanks to its light weight and snap-on mounting system
- PET thickness: 9 mm
- Dimensions:
32,5 cm x 28,5 cm x 5,8 cm
- Assembly in 1 minute
- Optimised absorption coefficient: 0,8
- Max 4 on top of each other
- Weight: 0,19 kg



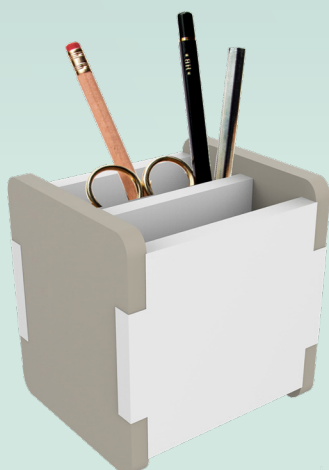
AVAILABLE FROM
OCT-NOV
2022



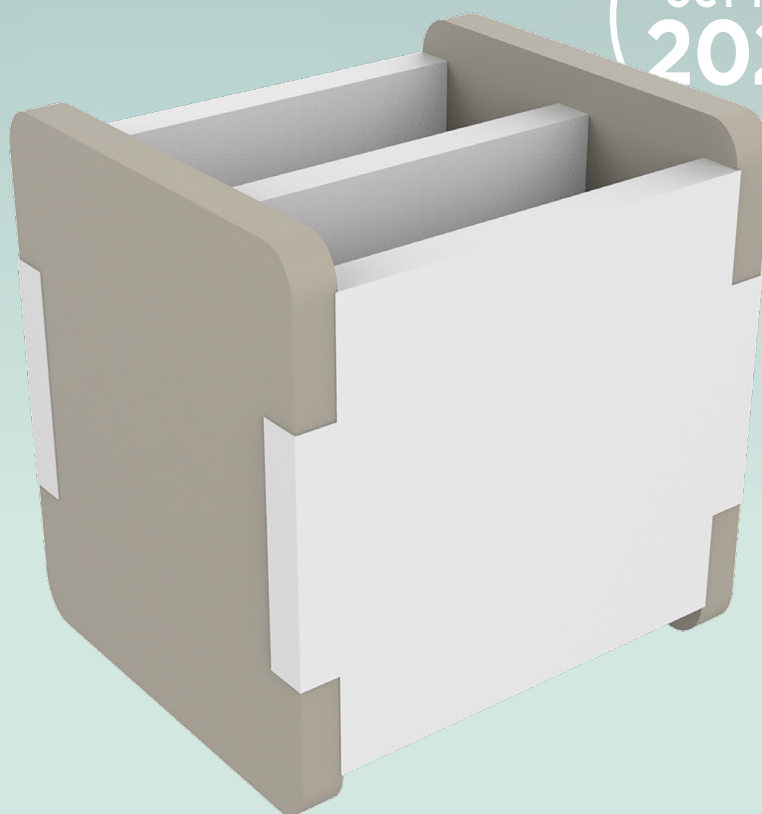
400165151 White/nature

UNILUX KUBE

- Pencil cup and accessories
- 50 % PE recycled/50 % recyclable
- PET thickness: 9 mm
- Dimensions: 10 cm x 10cm x 10cm
- Optimised absorption coefficient: 0,8
- Weight: 0,14 kg



AVAILABLE FROM
OCT-NOV
2022



400165150 White/nature

UNiLUX

Hamelin bv | Celsiusweg 35b | 5928 PR Venlo | The Netherlands

Tel: +31 77 373 1551 | sales.hamelinnl@hamelinbrands.com | www.hamelinbrands.com
